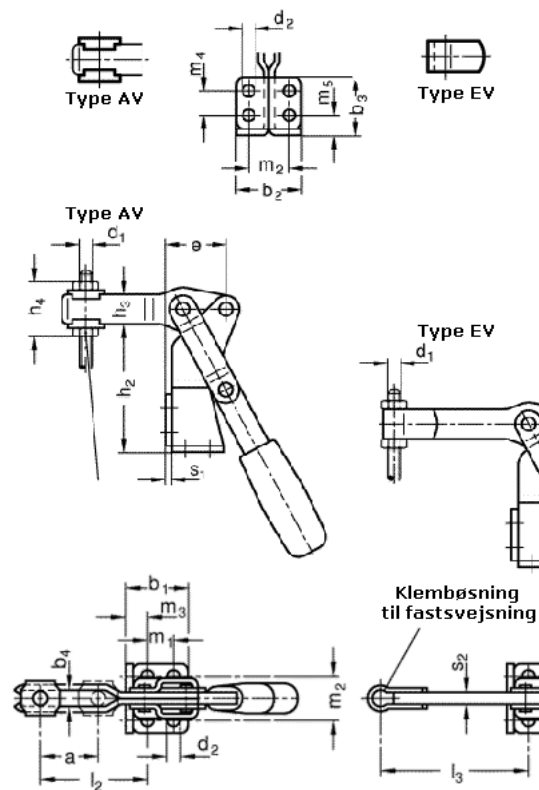


Article number: 201346114

Description: E+G Vertical clamp GN 812-300-AV

Measures



a = 42	h1 = 198	m1 = 28	Size = 300
b1 = 48	h2 = 108	m2 = 30	
b2 = 48	h3 = 20	m3 = 11.5	
b3 = 51	h4 = 41	m4 = 30	
b4 = 10.4	Holding force N = 2700	m5 = 12	
d1 = M10	l1 = 194	r = 122	
d2 = 8.5	l2 = 74	s1 = 3	
e = 46	l3 = 95	s2 = 8	